

C-MORE

WORLD CHAMPION SIGHTS

Instruction Manual - RTS2B-V5

SIGHT MODELS:

RTS2B-3	Voice	- 540-347-4683
RTS2B-6	Fax	- 540-347-4684
RTS2B-8	e-mail	- sales@cmore.com
RTS2B-10	web	- www.cmore.com
RTS2B-12		

© C-MORE Systems 1993-2023

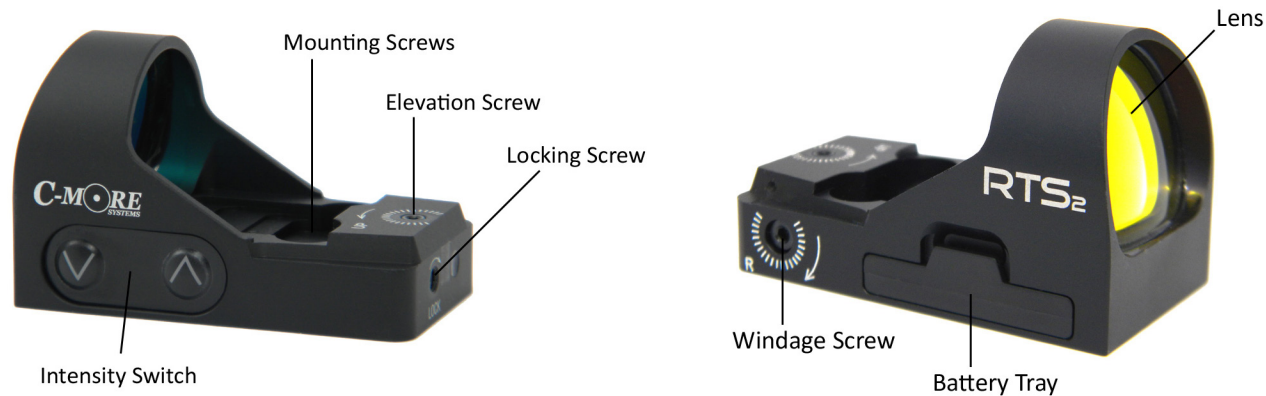
CMS-IB-RTS2B-V5_2023-03-01

Congratulations! You are now the owner of the most advanced reflex sighting system available. You have displayed excellent judgement in your purchase, and you will be rewarded with unparalleled performance. Use it with pride, but please familiarize yourself with the system first.

PACKAGE CONTENTS:

- | | |
|------------------------|--------------------------------|
| 1 - RTS2B-V5 Sight | 2 - Direct Mounting Screws |
| 1 - Cover | 1 - Wrench For Mounting Screws |
| 1 - Instruction Manual | |
| 1 - Adjustment Wrench | |

PLEASE read instructions before operating or installing this sighting system.



DESCRIPTION OF MAJOR COMPONENTS

INTENSITY SWITCH

Used to turn the sight ON, adjust the intensity of the dot, and turn the sight OFF. The RTS2B provides 10 visible brightness settings.

Turning ON: Pressing either the up or down button will turn the dot on to the previously set intensity.

Adjusting: Pressing the UP button will adjust the intensity of the dot UP incrementally to position 10. Pressing the DOWN button will adjust the intensity of the dot DOWN incrementally to position 1.

Turning OFF: Holding either button for 3 seconds will turn the dot off.

Motion Sensing System (MSS) / Auto OFF: After 3 minutes with no motion or vibration, the sight will power down the Dot and enter standby mode to save battery life. Once any motion or vibration is detected, the sight will instantly power on the Dot for immediate use. If no motion or vibration is detected after 4 hours, the sight will enter AUTO OFF mode and power down completely.

Low Battery Indicator: The dot will flash rapidly when the battery voltage cannot sustain the current intensity level. Lowering the intensity will allow further use until the battery voltage cannot sustain that intensity level.

LOCKING SCREW

Used to lock the elevation and windage adjustment mechanism once the sight has been zeroed to the weapon. Turning the lock screw counter-clockwise one and a half turns will loosen the screw and allow elevation and windage adjustments to be made. Turning the lock screw clockwise until firmly snug will lock the dot in its current location.

NOTE: The locking screw locks the dot/diode plate, not the adjustment screws. It is possible to turn the adjustment screws a few clicks in either direction when the locking screw is locked, this is normal, but shouldn't be done. The detents will hold the screws in position.

ELEVATION SCREW

Used when zeroing weapon. Turning the elevation adjustment screw clockwise moves the point of impact down. Turning the elevation adjustment screw counter-clockwise moves the point of impact up. (1 click = 1moa)

WINDAGE SCREW

Used when zeroing weapon. Turning the windage adjustment screw clockwise moves the point of impact right. Turning the windage adjustment screw counter-clockwise moves the point of impact left. (1 click = 1moa)

STOP!! Make sure your firearm is unloaded and the magazine and ammunition has been removed before proceeding!

INSTALLATION INSTRUCTIONS

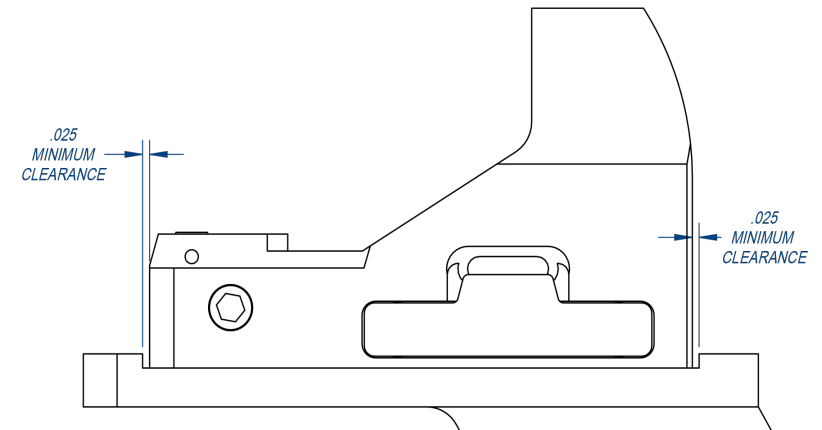
The RTS2 can be installed using a C-MORE mount or mounting kit, an aftermarket or custom mount, or directly to the firearm with the correct mounting interface machined into the slide or barrel depending on the firearm, or an OEM plate system designed for this sight. The direct mounting screws provided (8-32 threads) are a standard 1/2" long and may need to be trimmed to length for your specific application.

Direct Mounting Installation Instructions:

The sight must be mounted on a flat surface that supports the entire footprint, length and width, of the sight. Follow the instructions provided with the mount or mounting kit, or utilize the direct mounting screws provided. Loctite should be used on the mounting screws to prevent loosening during firing. Blue Loctite 242 is used in most installations, but Blue 243 can also be used if 242 doesn't hold. Red 262 can be used in extreme cases. Blue 243 and Red 262 will require heat to be applied to the screws in order to soften the loctite to remove them.

NOTE: DO NOT mount the sight with the front or back of the body tight against the mount or slide. There should be a minimum clearance of .025" between the front and back of the sight and the mount or slide cut. If the sight shows contact marks on the front or back, more clearance is required. Sight footprint drawing available upon request.

NOTE: Do Not Overtighten Mounting Screws! 15 in-lbs max torque. If the battery tray cannot be removed or installed freely, then the mounting screws are too tight causing the battery tray to bind.



ZEROING

NOTE

The RTS2 Sight has an adjustment area of 120 in. wide x 180 in. tall at 100 yds (304.8 cm x 457.2 cm at 100 m).

WARNING

The lock screw **MUST** be loosened before adjusting the elevation or windage screws. Failure to do so could result in damage to the adjustment mechanism. The lock screw **MUST** be locked (tightened) before firing.

ZEROING PROCEDURE

- 1) Remove the sight cover.
- 2) Turn the sight on so the dot is visible.
- 3) Make sure the locking screw is locked before firing.
- 4) Shoot a 3 shot group at a target 10 yards away to get on paper.
- 5) Loosen the locking screw by turning it counter clockwise one and a half turns.
- 6) To adjust the elevation, insert the adjustment wrench into the elevation screw. To raise the point of impact, turn the elevation screw counter-clockwise. To lower the point of impact, turn the elevation screw clockwise. (1 click = 1moa)
- 7) To adjust the windage, insert the adjustment wrench into the windage screw. To move the point of impact left, turn the windage screw counter-clockwise. To move the point of impact right, turn the windage screw clockwise. (1 click = 1moa)
- 8) Adjust the windage and elevation so your group is centered and 2 to 3 inches low @ 10 yards, Locking the lock screw prior to firing and loosening the lock screw prior to adjusting.
- 9) Since the sight can only be zeroed for one distance, zero for the farthest distance you will shoot with this firearm.
- 10) Shoot a 3 shot group at the final distance you determined in step 9.
- 11) Adjust the windage and elevation until zero is achieved. Lock the locking screw.
- 12) If zeroing is accurate, fire three more shots to confirm. If zeroing is not accurate, repeat steps 10 and 11 until zeroing is complete.

NOTE

After initial firing, check to ensure that the mount and sight are secure. Tighten as necessary and check periodically (See Maintenance Procedures)

NOTE

If you run out of windage adjustment, loosen the mounting screws and reposition the sight to the right or left accordingly, then retighten and re-zero.

If you run out of elevation adjustment, it is possible the mount will need to be adjusted to angle the sight correctly.

MAINTENANCE

The RTS2 sight requires very little maintenance. Periodic cleaning of the lens, diode, and sight is encouraged, as well as checking the sight mounting to ensure that it is firmly mounted.

SIGHT CLEANING PROCEDURE

The RTS2 sight can be cleaned using a soft cloth.

DIODE CLEANING PROCEDURE

The diode can be cleaned using a micro q-tip dipped in alcohol. With the intensity on 10, look through the front of the lens and identify the bright Red LED inside the sight. Insert the micro q-tip dipped in alcohol into the hole and spin / wipe the powder residue off the face of LED. Blow off with compressed air before the alcohol evaporates. Repeat as necessary to restore the dot brightness and round shape.

LENS CLEANING PROCEDURE (NOTE: a LensPen can also be used in place of this procedure)

CAUTION The lens can be scratched if dirt or debris is wiped across the lens.

1) Remove large particles from exposed lens surfaces by first blowing on the surfaces. Blow as much dust and dirt as possible from the exposed lens surfaces using compressed air.

2) When all visible particles of dust and dirt have been removed, moisten a piece of lens tissue with lens cleaning solution, then gently wipe over the lens surface. Dry with clean lens tissue.

NOTE: If the lens fogs over in cold weather, use a lens tissue to wipe clear.

MOUNTING CHECK PROCEDURE

Periodically check the sight to ensure that it is firmly mounted and there is no movement. If movement is detected, or mounting screws have loosened, remove the mounting screws and re-apply loctite prior to re-installation.

CAUTION: Firing a weapon with a loose sight can cause damage to the weapon, the sight, and you! .

BATTERY REPLACEMENT PROCEDURE

1) Remove the battery tray by using a small screwdriver to pry it open from the sight body. Ease the tip of the screwdriver behind the tab on the battery tray. Push the tip all the way down to the base of the tab and pry the tray open and pull it out of the sight. (Make sure to hold your hand over the tray to catch it when it releases from the sight)

2) Insert battery into the battery tray with positive (+) side facing up.

3) Insert the battery tray with battery into the sight body until it detents into the fully inserted position. (The battery tray should be flush with the side of the sight body)



WARRANTY INFORMATION



For 30 years C-MORE sights have been in the hands of the hardest users: Military, Law Enforcement, and Competition Shooters; some who put over 150,000 rounds through a gun with our sight. We are the pioneers of open reflex sights for competition. We're the action shooters choice for 30 years because of our performance, reliability and customer service. Our competition record is unmatched.

We're proud to cover our products with a 30-year no hassle warranty from the date of manufacture. We warranty against all original defects in material or manufacturing, including electronics. This warranty is fully transferable.

We will repair or replace your genuine C-MORE product at no cost to you. If your product cannot be repaired, we will replace it with a product of equal or better physical condition in perfect working order. We pay return shipping back to you.

This warranty is void if the unit has been abused, disassembled, or modified/tampered with in any way from its original configuration. This warranty does not cover defects caused by normal wear and tear, improper handling, incorrect installation, accidents, alterations/modifications to the original configuration, repairs made by unauthorized parties, aftermarket accessories, or abnormal use.